



EN



ACCESSORIES



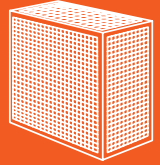
CONTROLS



PIPE SUPPORT



BRACKETS



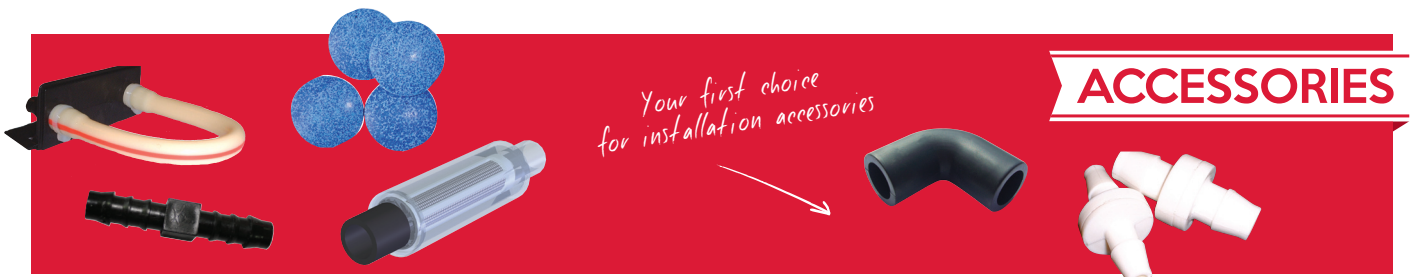
GUARDS

Xtra

*The worlds largest range
of HVAC installation
accessories*

C A T A L O G U E

[ASPENPUMPS.COM/XTRA](https://www.aspenpumps.com/xtra)
designed by engineers for engineers



ACCESSORIES

Your first choice for installation accessories

The Aspen Xtra range wouldn't be complete without our accessories range. Complimenting the installation of Aspen Pumps market leading condensate removal pumps, the range includes connectors, vinyl tubing, filters and much more. These can also be fitted with any pump on the market.



CONTROLS

Isolator

Fan Speed Controller

Designed to be aesthetically pleasing, robust and easy to install, the Xtra controllers give great functional diversity. These features, give a greater variety of installation options.



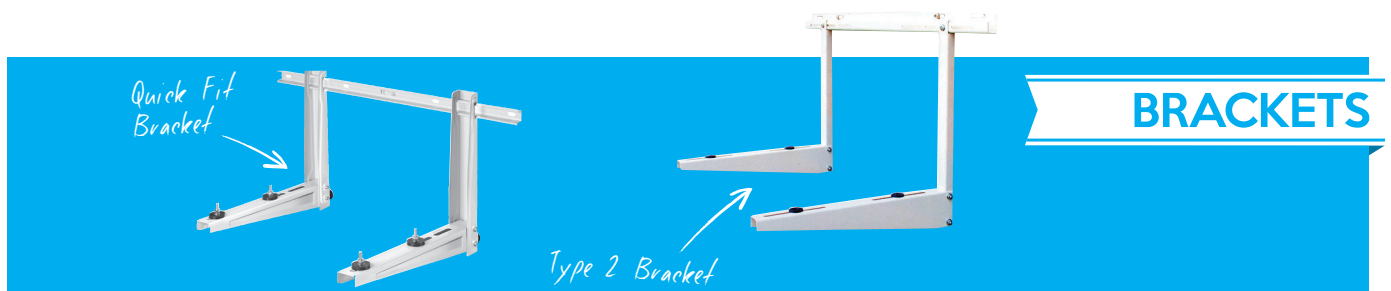
PIPE SUPPORT

Channel Clips

Rod Clips

Surface Mount

Designed to make installations easier, this professional range includes everything from channel clips, rod clips and surface mount clips, all designed to offer secure support to pipework on AC and refrigeration systems.

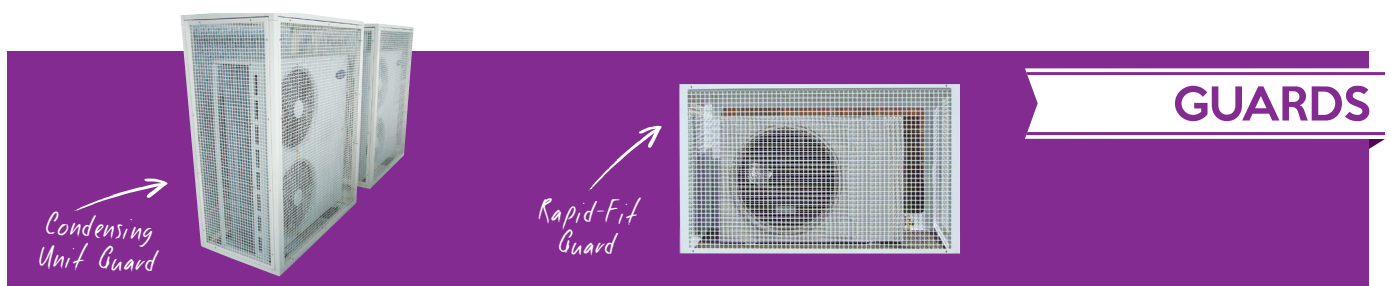


BRACKETS

Quick Fit Bracket

Type 2 Bracket

With a high quality finish and professional appearance, this comprehensive range gives a greater choice when considering a solution for split unit installation.



GUARDS

Condensing Unit Guard

Rapid-Fit Guard

When looking to protect exterior air conditioning and refrigeration units, the Xtra range of guards provide an unobtrusive, aesthetically pleasing solution to unwanted access and damage to valuable equipment.



Xtra – the installer's choice

Aspen Xtra is the worlds largest range of HVAC installation accessories. Developed and created for installers using knowledge gained through years of experience in the HVAC Sector, Aspen Xtra was designed to fully complement the pioneering products in the Aspen Pumps range.

Using only the best quality materials and manufactured to the highest standard, the Aspen Xtra range of products offer installation engineers the flexibility and reliability for all installation support needs. Installers can benefit from products that have innovative designs and easy to install time saving features, allowing a no hassle, aesthetically pleasing reliable installation, making it the Installers choice.




ACCESSORIES

Pump Accessories	4
Connectors	5
Vinyl Tubing	6
Tube / Connector Fittings	7
Trunking	8
Castel Fast Clip and Roof Inlet	10
Condensate Traps	11
Portable AC Unit	11

CONTROLS

Isolator	12
Fan Speed Controller	13
Hi-Level Water Sensor	13
3 Phase Detector	13

PIPE SUPPORT

Pipe Fixings Selector	14
 Channel Fixing	15
 Rod Fixing	18
 Surface Mount	24

BRACKETS

Condensing Unit Bracket	28
Quick Fit Bracket	29
Non-metal Bracket	29
Galvanised Arm	29
Drip Trays	30

GUARDS

Condensing Unit Guard	31
Rapid Fit Guard	32

ACCESSORIES

EN

accessories

Peristaltic Pumps

SPARE HEAD TUBE KIT

Part No.
FP1282
(Bag of 1)



ROTOR ASSEMBLY

Part No.
SA1382



SILICON GREASE 100g

Part No.
2457



FRONT HOUSING

Part No.
1159



BACK PLATE

Part No.
SA1161



PUMP BRACKET

Part No.
2716
(Universal/Standard)



2m STANDARD PLUG-IN CABLE

Part No.
1523



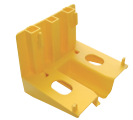
3m UNIVERSAL PLUG-IN CABLE

Part No.
1573/1



PUMP BRACKET

Part No.
1553/1
(Mechanical/MK4)



Mini Pumps

MINI ORANGE SENSOR CABLE EXT. KIT

Part No.
FP2940



MINI BLANC IVORY COVER

Part No.
FP1037



MINI LIME INLET HOSE LENGTH

Part No.
2472 (1m) / 2419 (25m)
(14mm I/D and 19mm O/D)



DRAIN TRAY CONNECTOR 16mm

Part No.
FP2626



(Reservoir connector, 18,16 and 14mm pipe fitting)

PUMP TEST BOTTLE

Part No.
2811



1 AMP FUSE AND HOLDER

Part No.
FP2620
(Bag of 2)



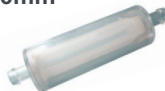
INLINE FILTER 1/4" / 6mm

Part No.
FP2636
(bag of 3)



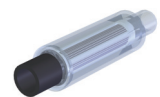
INLINE FILTER 3/8" / 10mm

Part No.
FP2636
(bag of 3)



INLINE FILTER 16mm

Part No.
FP2640
(bag of 3)



Cleaning and General

ANTI BACTERIAL TABLET 18mm

Part No.
FP2418
(bag of 50, 18mm ø)



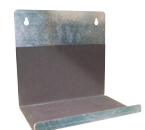
STAYCLEAN STRIP

Part No.
FP1248
(bag of 3)



TANK PUMP BRACKET

Part No.
SA1115
(Hi-flow, Hi-lift)



Xtra For further details please refer to our website aspenspumps.com/xtra

ACCESSORIES

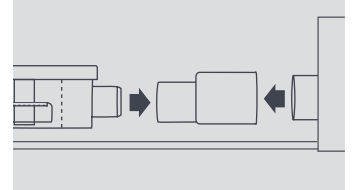
EN

connectors

Mini Pump

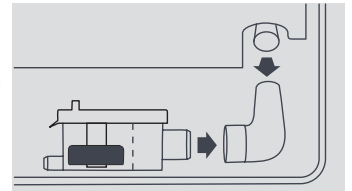
RUBBER ADAPTOR TO CONNECT A DUCTED UNIT TO A MINI PUMP

OPTIONS			
Size	Ideal Use	Part No.	Pack Qty
16mm – 20mm	Fits Mitsu Heavy	FP2001	3
16mm – 25mm	Daikin, Mitsu Elec, Panasonic, Mitsu Heavy, LG	FP2002	3
16mm – 32mm	Daikin, Mitsu Elec, Panasonic, Mitsu Heavy, LG	FP2003	3



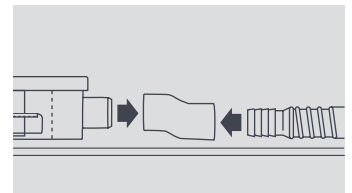
90° LONG ARM BEND TO CONNECT A WALL MOUNT TO MINI PUMP RESERVOIR

OPTIONS			
Size	Ideal Use	Part No.	Pack Qty
12mm – 16mm	LG wall mount and floor mount	FP2006	3



OFFSET CONNECTOR FOR A WALL MOUNT TO MINI PUMP RESERVOIR

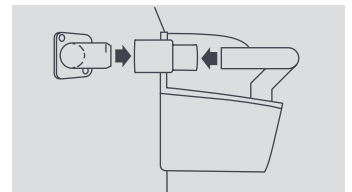
OPTIONS			
Size	Ideal Use	Part No.	Pack Qty
16mm – 16mm	Can be used universally	FP1024	5



Tank Pump

RUBBER ADAPTOR TO CONNECT A CASSETTE UNIT CONDENSATE DRAIN PIPE TO A TANK PUMP

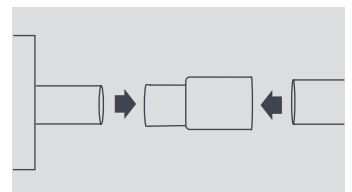
OPTIONS			
Size	Ideal Use	Part No.	Pack Qty
16mm – 21mm	Fits LG units	FP2011	3
26mm – 21mm	Daikin, Panasonic	FP2012	3
32mm – 21mm	Daikin, Mitsu Elec, Panasonic, Mitsu Heavy, LG	FP2013	3



Pipe to Pipe

RUBBER ADAPTOR TO CONNECT 21mm OVERFLOW PIPE TO WASTE PIPE

OPTIONS			
Size	Ideal Use	Part No.	Pack Qty
21mm – 25mm	Can be used universally	FP2016	3
21mm – 32mm	Can be used universally	FP2017	3
21mm – 40mm	Can be used universally	FP2018	3



Note: All connectors should be fitted with the relevant cable ties



ACCESSORIES



vinyl tubing

Flexible, durable and non toxic – we have the most extensive range on the market.



x30m CLEAR ROLLS

OPTIONS		
Size	Part No.	Pack Qty
1/4" (6mm)	AX5200	1
3/8" (10mm)	AX5201	1
1/2" (12mm)	AX5202	1



CLEAR ROLL SPECIFICATIONS			
Working temp.	-10°C – 65°C		
Colour	Clear		
Diameter ID (mm)	1/4"	3/8"	1/2"
Diameter OD (mm)	6	10	12
Work Pressure (Bar)	5	5	3
Burst Pressure (Bar)	15	15	9
Fixed length (Metre)	30	30	30
Weight (Kg)	2.01	3.00	3.55

x30m REINFORCED (BRAIDED) CLEAR ROLLS

OPTIONS		
Size	Part No.	Pack Qty
1/4" (6mm)	AX5100	1
3/8" (10mm)	AX5101	1
1/2" (12mm)	AX5102	1
5/8" (15mm)	AX5103	1



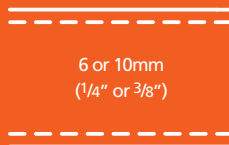
REINFORCED (BRAIDED) ROLL SPECIFICATIONS				
Working temp.	-10°C – 65°C			
Colour	Clear/Black			
Diameter ID (mm)	1/4"	3/8"	1/2"	5/8"
Diameter OD (mm)	6	10	12	15
Work Pressure (Bar)	8	8	6	7
Burst Pressure (Bar)	24	24	18	21
Roll Length (Metre)	30	30	30	30
Weight (Kg)	2.01	3.00	3.55	5.55

x30m REINFORCED (BRAIDED) BLACK ROLLS

OPTIONS		
Size	Part No.	Pack Qty
1/4" (6mm)	AX5110	1
3/8" (10mm)	AX5111	1
1/2" (12mm)	AX5112	1
5/8" (15mm)	AX5113	1



A D V E R T I S E M E N T



Self-sealing Hose Adaptor for waste/soil pipes – available now in packs of 5

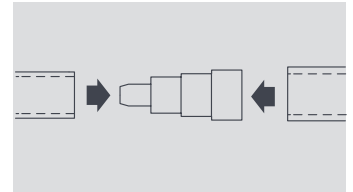
ACCESSORIES

EN

tube / connector fittings

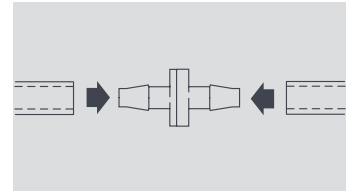
Adaptors/Straight Connectors

OPTIONS			
Size	Ideal Use	Part No.	Pack Qty
6mm – 10mm	1/4" to 3/8"	FP2020	5
6mm, 10mm or 12mm to 16mm	1/4" to 3/8" or 5/8" to 1/2"	FP2632	5



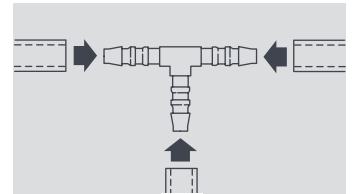
Non-return Valves

OPTIONS			
Size	Ideal Use	Part No.	Pack Qty
6mm (1/4")	Prevents backflow of water	FP2628	5
10mm (3/8")	Prevents backflow of water	FP2630	5



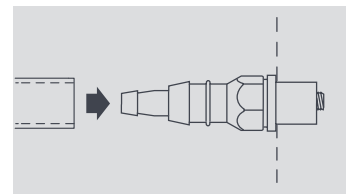
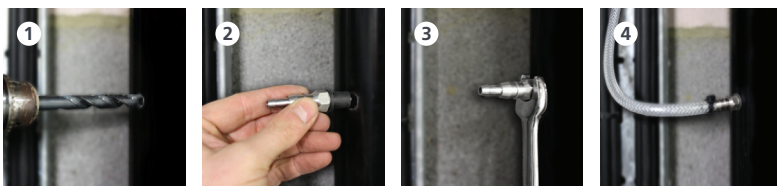
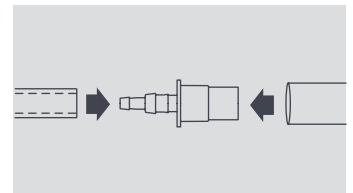
Hose to Hose

OPTIONS			
Size	Ideal Use	Part No.	Pack Qty
6mm (1/4")	Equal "T" Connector	FP2024	5
6mm (1/4")	Elbow Connector	FP2028	5
6mm (1/4")	Straight Connector	FP2622	5
10mm (3/8")	Equal "T" Connector	FP2030	5
10mm (3/8")	Elbow Connector	FP2032	5
10mm (3/8")	Straight Connector	FP2624	5



Hose to Overflow or Waste/Soil Pipe

OPTIONS			
Size	Ideal Use	Part No.	Pack Qty
6mm (1/4") or 10mm (3/8") – 21mm overflow pipe	Hose to Overflow	FP2040	3
6mm (1/4") or 10mm (3/8") – self sealing adaptor	Hose to Waste/Soil Pipe (Drill hole to 11.5mm diameter)	FP2038	3



Note: All connectors should be fitted with the relevant cable ties



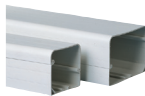
ACCESSORIES

EN

economy trunking



D-70
IVORY
B6027
D-105
IVORY
B6026
D-70
WHITE
B6793
D-105
WHITE
B6794



STRAIGHT DUCT

Code	Size (mm)		Overall length (mm)	Qty boxed
	A	B		
D-70	70	65	2000	6
D-105	105	75	2000	6

WC-70
IVORY
B6050
WC-105
IVORY
B6049
WC-70
WHITE
B6789
WC-105
WHITE
B6790



WALLS COVER FOR INLET OR OUTLET

Code	A	Size (mm)		C	Qty boxed
		B	C		
WC-70	110	180	70.4	20	
WC-105	145	190	105.4	20	

RJ-70-105
IVORY
B6046
RJ-70-105
WHITE
B6787



REDUCER JOINT

Code	A	Size (mm)		C	Qty boxed
		B	C		
RJ-70-105	105.4	80.4	70.4	20	

EB-70
IVORY
B6035
EB-105
IVORY
B6034
EB-70
WHITE
B6777
EB-105
WHITE
B6778



90° ELBOW BEND

Code	A	Size (mm)		C	Qty boxed
		B	C		
EB-70	95	95	70.4	20	
EB-105	110	110	105.4	20	

EIN-70
IVORY
B6037
EIN-105
IVORY
B6036
EIN-70
WHITE
B6779
EIN-105
WHITE
B6780



ELBOW – EXTERNAL 90°

Code	A	Size (mm)		C	Qty boxed
		B	C		
EIN-70	95	95	70.4	20	
EIN-105	110	110	105.4	20	

FB-70
IVORY
B6039
FB-105
IVORY
B6038
FB-70
WHITE
B6781
FB-105
WHITE
B6782



90° FLAT BEND

Code	A	Size (mm)		C	Qty boxed
		B	C		
FB-70	115	115	70.4	20	
FB-105	150	150	105.4	20	

WR-70
IVORY
B6053
WR-105
IVORY
B6052
WR-70
WHITE
B6791
WR-105
WHITE
B6792



WALL ROSETTE

Code	A	Size (mm)		C	Qty boxed
		B	C		
WR-70	115.4	110.4	70.4	20	
WR-105	150.4	120.4	105.4	20	

DE-70
IVORY
B6031
DE-105
IVORY
B6030



DUCT END

Code	A	Size (mm)		C	Qty boxed
		B	C		
DE-70	120	45	70.4	20	
DE-105	120	50	105.4	20	

TJ-105
IVORY
B6048
TJ-105
WHITE
B6788



T-JOINT

Code	A	Size (mm)		C	Qty boxed
		B	C		
TJ-105	200	105.4	105.4	20	

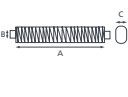
FR-70
IVORY
B6045
FR-105
IVORY
B6044
FR-70
WHITE
B6785
FR-105
WHITE
B6786



FLAT ROSETTE

Code	A	Size (mm)		C	Qty boxed
		B	C		
FR-70	115.4	110.4	70.4	20	
FR-105	150.4	120.4	105.4	20	

FJ-70
IVORY
B6043
FJ-105
IVORY
B6042



FLEXIBLE JOINT

Code	A	Size (mm)		C	Qty boxed
		B	C		
FJ-70	500	65	65	20	
FJ-105	500	100	100	20	

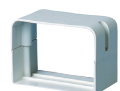
DC-70
IVORY
B6029
DC-105
IVORY
B6028
DC-70
WHITE
B6773
DC-105
WHITE
B6774



DUCT CAP

Code	A	Size (mm)		C	Qty boxed
		B	C		
DC-70	70	65	2	20	
DC-105	105	75	2	20	

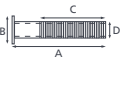
CP-70
IVORY
B6025
CP-105
IVORY
B6022
CP-70
WHITE
B6771
CP-105
WHITE
B6772



CONNECTION PIECE

Code	A	Size (mm)		C	Qty boxed
		B	C		
CP-70	75.4	70.4	70.4	20	
CP-105	110.4	80.4	105.4	20	

ING-341
IVORY
B6051



WALL SLEEVE

Code	A	Size (mm)			Qty boxed
		B	C	D	
ING-341	350	100	250	63	20

FB-70-45
IVORY
B6041
FB-105-45
IVORY
B6040



45° FLAT BEND

Code	Size (mm)		C	Qty boxed
	A	B		
FB-70-45	92.58	145.5	70.4	20
FB-105-45	92.58	170.3	105.4	20

Also available: ADP-93 DRAIN PIPE (50m; Code: ADP-93 B6020), CET. CLIPS (Code: CET CLIP B6047), CCY. CONNECTORS (Code: CCY B6021), FAST CLIPS (B6019 / B6100)

For further details please refer to our website aspenspumps.com/xtra

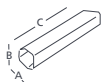


ACCESSORIES

EN

inoac trunking

CD-60 CD-100
B6200 B6196
CD-75 CD-140
B6201 B6199



STRAIGHT DUCT

Code	Size (mm)			Qty boxed
	A	B	C	
CD-60	57.5	58	2000	5
CD-75	74	62	2000	5
CD-100	99	68	2000	5
CD-140	138	78	2000	5

NW-60 NW-100
B6252 B6248
NW-75 NW-140
B6253 B6251



OUTLET COVER

Code	Size (mm)					Qty boxed
	A	B	C	D	E	
NW-60	65.5	65	200	77	81	5
NW-75	82	69	210	94	83	5
NW-100	107	75	231	119	96	5
NW-140	146	85	286	158	105	5

NK-60 NK-100
B6223 B6221
NK-75
B6224



WALL CAP

Code	Size (mm)				Qty boxed
	A	B	C	D	
NK-60	110	110	16	40	5
NK-75	126	114	16	40	5
NK-100	175	145	16	40	5

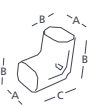
NZ-60 NZ-75
B6261 B6262



UNIVERSAL ELBOW (VERTICAL)

Code	Size (mm)			Qty boxed
	A	B	C	
NZ-60	65.5	65	117.5	5
NZ-75	86	69	122.5	5

NC-60 NC-100
B6209 B6206
NC-75 NC-140
B6210 B6208



ELBOW (VERTICAL)

Code	Size (mm)			Qty boxed
	A	B	C	
NC-60	65.5	65	120	5
NC-75	82	69	124	5
NC-100	107	75	135	5
NC-140	146	85	149	5

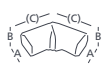
NU-60 NU-100
B6245 B6244
NU-75
B6246



45° ELBOW (VERTICAL)

Code	Size (mm)			Qty boxed
	A	B	C	
NU-60	65.5	65	67	5
NU-75	82	69	72	5
NU-100	107	75	83	5

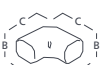
NX-60 NX-100
B6258 B6255
NX-75 NX-140
B6259 B6257



UNIVERSAL ELBOW (HORIZONTAL)

Code	Size (mm)			Qty boxed
	A	B	C	
NX-60	65.5	65	136.8	5
NX-75	82	69	153	5
NX-100	107	75	193.5	5
NX-140	146	85	248	5

NE-60 NE-100
B6214 B6211
NE-75 NE-140
B6215 B6213



ELBOW (HORIZONTAL)

Code	Size (mm)			Qty boxed
	A	B	C	
NE-60	65.5	65	119.5	5
NE-75	82	69	141	5
NE-100	107	75	161	5
NE-140	146	85	200	5

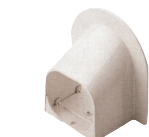
NM-60 NM-100
B6226 B6225
NM-75
B6227



45° ELBOW (HORIZONTAL)

Code	Size (mm)			Qty boxed
	A	B	C	
NM-60	65.5	65	68	5
NM-75	82	69	74	5
NM-100	107	75	84	5

NA-60 NA-100
B6205 B6203
NA-75
B6195



CORNER CAP

Code	Size (mm)					Qty boxed
	A	B	C	D	E	
NA-60	67	65	66	105	110	5
NA-75	74	70	66	124	125	5
NA-100	109	76	66	149	140	5

NF-60 NF-100
B6219 B6216
NF-75 NF-140
B6220 B6218



FLEXIBLE JOINT

Code	Size (mm)				Qty boxed
	A	B	C	D	
NF-60	59.5	60	60	550	5
NF-75	76	64	60	550	5
NF-100	101	70	75	800	5
NF-140	140	80	80	1000	5

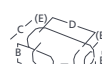
NS-60 NS-100
B6237 B6233
NS-75 NS-140
B6238 B6236



SOCKET

Code	Size (mm)			Qty boxed
	A	B	C	
NS-60	65.5	65	80	5
NS-75	82	69	80	5
NS-100	107	75	80	5
NS-140	146	85	80	5

NT-75 NT-140
B6243 B6706
NT-100
B6240



T-JOINT

Code	Size (mm)					Qty boxed
	A	B	C	D	E	
NT-75	80	70	120	160	25	1
NT-100	107	75	161	215	35	1
NT-140	146	85	200	254	35	1

NJ-60<75 NJ-75<100
B6707 B6708



REDUCER

Code	Size (mm)					Qty boxed
	A	B	C	D	E	
NJ-60<75	69.5	68	80	82	69	5
NJ-75<100	86	72	80	107	75	5

NR-60 NR-100
B6230 B6228
NR-75
B6232



END SOCKET

Code	Size (mm)					Qty boxed
	A	B	C	D	E	
NR-60	53	30	99	65.5	65	5
NR-75	53	30	99	82	69	5
NR-100	53	30	115	107	75	5

Also available: NV-L 360mm SADDLE BAND: B6247, NCX-75 VERTICAL / HORIZONTAL ELBOW B9143
Small selection of INOAC TRUNKING available in white: CD-75, NE-75, NW-75, NS-75, NC-75

For further details please refer to our website aspenspumps.com/xtra



ACCESSORIES



fast clip

KEY FEATURES

- Clips onto the fixed rail inside ducts
- Keep tubing in place during install
- Standard packing without cable binder
- Standard packing without cable binder
- Compatible with AIRCO, OPTIMAL and ECO trunking
- Standard packing without cable binder



Part No.

B6019 (bag of 100)

B6100 (bag of 10 plus Tie)

roof inlet

KEY FEATURES

- Corrosion free... forget rust stains!
- To cover the hole on the roof made to pass through line sets that are connected to an outdoor unit
- Ivory RAL 9002
- High thermal stability
- 125 x 125mm / 125 x 250mm
- Good chemical resistance
- Excellent resistance to weathering and ageing
- Assembly with stainless screw (supplied)



Part No.

B9379 (125 x 125mm)

B9380 (250 x 125mm)

A D V E R T I S E M E N T

Visit the Aspen website
for all the latest **Xtra**
product news...

aspenpumps.com/xtra



ACCESSORIES

EN

condensate traps

OPTIONS		
Size		Part No.
3/4" (Economy)	EZT-113B	FP2462
3/4" (Waterless)	EZT-150	FP2463
3/4" (Economy and Overflow Switch)	EZT-210	FP2464
3/4" Slip Fit (Close coupled overflow switch)	EZT-226	FP2465



EZT-113B



EZT-150



EZT-210



EZT-226

KEY FEATURES

- Easy to install for air handling units with 3/4" female outlets
- Use on any residential or commercial air conditioning system
- Easy inspection, transparent trap

portable air conditioning unit



KEY FEATURES

- Cooling and heating models available
- Features auto and timer modes
- H: 765mm, W: 467mm, D: 397mm
- Includes remote control
- Sleep / ECO setting
- Air flow adjustment

Part No.

AX3000 (Cool only)
AX3005 (Cool & Heat)

A D V E R T I S E M E N T

Aspen **Xtra**
Accessories Kit

NEW



Ask your local stockist for details

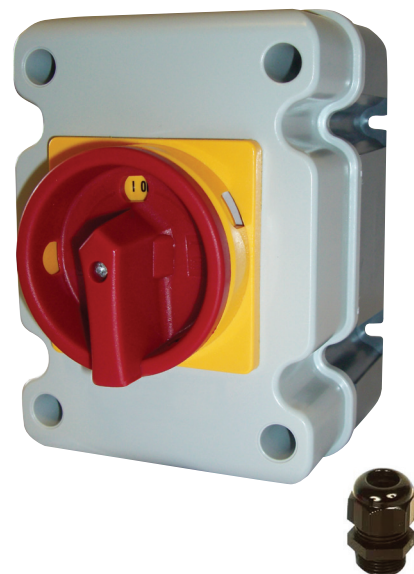


CONTROLS



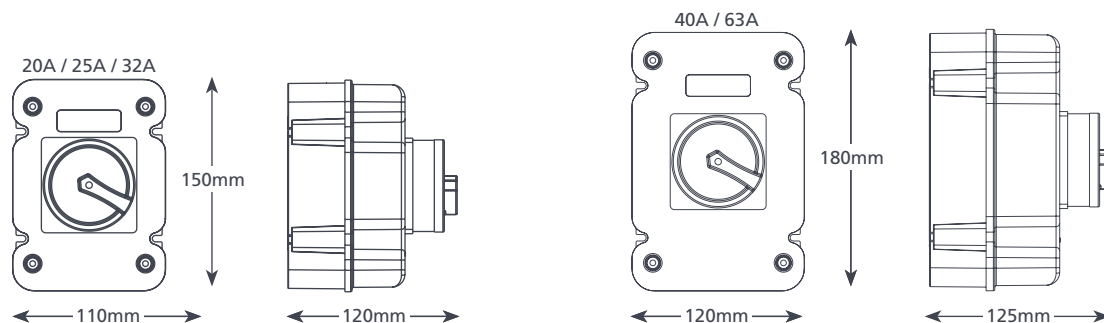
isolator

IP66 – the highest rated isolator on the market, perfect for AC installations.



KEY FEATURES

- Extra space for easy access
- 'Easy Mount' fixing points
- 3 or (removable) 4 pole options
- DIN rail mounting and increased gland fitting access
- Removable block
- 2 earth or neutral connectors
- IEE Regulation emergency stop switch



SPECIFICATIONS

Rated	230v, 50-60Hz
IP Protection	IP66

OPTIONS

Description	Part No.
20A 3 pole	AX6101
32A 3 pole	AX6102
40A 3 pole	AX6103
63A 3 pole	AX6104
20A 4 pole	AX6001
32A 4 pole	AX6002
40A 4 pole	AX6003
63A 4 pole	AX6004
25A 4 pole	AX6005

Other voltages available

Xtra For further details please refer to our website aspenspumps.com/xtra

CONTROLS

EN

fan speed controller

KEY FEATURES

- Tune your system; ideal for use with single fan condenser units
- Controls head pressure of systems by increasing and reducing the fan speed balancing temperature of the condenser coil
- Available for cooling only
- Optional heat pump model for connection to the reversing valve
- Condenser temperature coil sensor



hi-level water sensor

KEY FEATURES

- For utmost security!
- Can operate via float sensor
- Can be used in conjunction with most pumps that do not include high level safety
- Can operate via temperature sensor
- 2 levels of sensing – high and low, both with N.O, N.C & C



3 phase detector

KEY FEATURES

- Designed to protect 3 phase motors and industrial equipment from over-heating due to a phase failure
- When one phase goes down motors can seem to run normally. It is not until the motor overheats that it is detected, which may be too late



SIZING OPTIONS

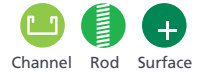
Description	Height (mm)	Width (mm)	Depth (mm)	Part No.
FSC Cooling	44	150	75	FP2094
FSC Heating	44	150	75	FP2095
Hi-Level Water Sensor	70	125	90	FP2098
3 Phase	58	90	35	FP2131


Xtra For further details please refer to our website aspenspumps.com/xtra




PIPE SUPPORT

pipe fixings selector



 Refrigeration	range size	holds copper pipe	holds insulated pipe	mounting method	vertical support	horizontal support	fire sensitive zone
QPC	1/4" – 1 5/8"	•		Channel	•	•	
insulclamp	1/4" – 4 1/8"	•		Channel	•	•	•
channel clips	1/4" – 2 1/8"	•	•	Channel	•	•	
stud clip m8	1/4" – 2 1/8"	•	•	8mm Stud		•	
stud clip m8 3 1/8"	3/8"		•	8mm Stud		•	
stud clip m10	1/4" – 2 1/8"	•	•	10mm Stud		•	
barb clip	7/8" – 1 3/8"		•	Surface		•	
nail clip	1 – 1 5/8"		•	Surface		•	
pipe ties	250 – 400mm			Surface	•	•	

 Air conditioning	range size	holds copper pipe	holds insulated pipe	mounting method	vertical support	horizontal support	fire sensitive zone
QPC	1/4" – 1 5/8"	•		Channel	•	•	•
insulclamp	1/4" – 4 1/8"	•		Channel	•	•	•
metal hanger	3/8", 1/2", 5/8"		•	8/10mm Stud		•	•
pinch clip	1/2", 5/8", 3/4"		•	8/10mm Stud and Surface		•	•
stud clip (2 pipe)	1/2" – 1 1/8"		•	8mm Stud		•	
3 pipe clip	3/8" – 1 5/8"		•	8/10mm Stud and Surface		•	•
plastic hanger	3/8" – 1 1/8"		•	8/10mm Stud		•	
grip lock	1/4" – 1 1/8"		•	Surface		•	
barb clip (2 pipe)	7/8" – 1 3/8"		•	Surface	•	•	•
pipe ties	250 – 400mm			Surface		•	



Tweet us, Like us, Join us!

Be the first to know, share installer tips, product previews, win prizes and so much more. Be part of our Aspen global community on Twitter, Facebook and LinkedIn.





PIPE SUPPORT



quick positioning clip

A simple twist and clip channel clip ideal for air conditioning and refrigeration installations.



Channel



Rod



Surface

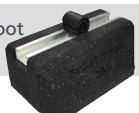
KEY FEATURES

- Easy installation into 40mm x 40mm and 40mm x 20mm channel
- External diameter matches diameter of pipes with 9mm insulation
- Excellent resistance to oil
- Helps dampen noise and vibrations

SPECIFICATIONS

Materials of construction	Nylon
Max. temp	70°C
Max. Rec. distance per clip	1.2m

Compatible with Fix-it Foot from Big Foot Systems



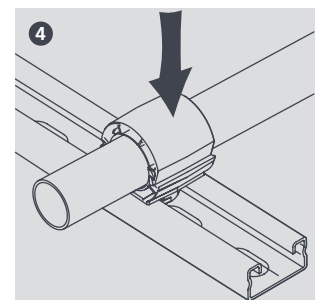
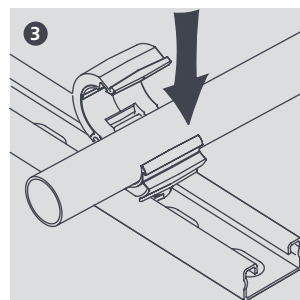
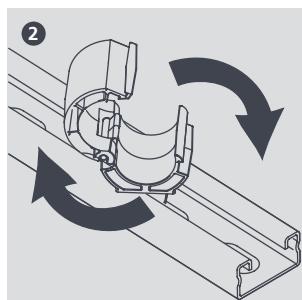
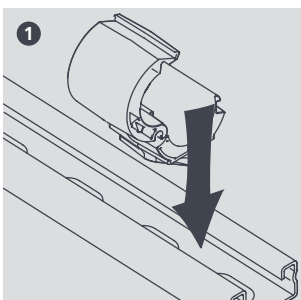
Aluminium Channel (3m lengths) available: Part No. B6023



SIZING OPTIONS

Size	Max. Unsupported Span (m)	Height Above Channel (mm)	Part No. (Plastic Bag)	Pack Qty (Plastic Bag)
1/4"	1.5	21	B6445	10
3/8"	1.5	24	B6447	10
1/2"	1.5	27	B6444	10
5/8"	1.5	31	B6448	10
3/4"	1.5	34	B6446	10
7/8"	1.0	37	B6449	10
1 1/8"	1.0	43	B6442	10
1 3/8"	1.0	50	B6443	10
1 5/8"	1.0	56	B6538	10

Xtra For further details please refer to our website aspenpumps.com/xtra



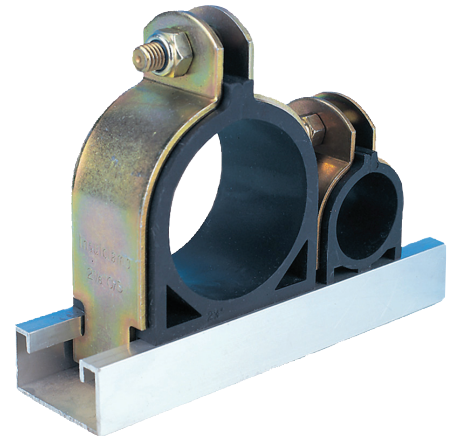


PIPE SUPPORT



insulclamp

Channel clip ideal for bigger commercial air conditioning and refrigeration installations.



Channel



Rod



Surface

KEY FEATURES

- Easy installation into 40mm x 40mm and 40mm x 20mm channel
- Insulates against heat loss and reduces vibration
- Quick to install with lock nuts
- Fits into shallow void
- Supports individual pipes into a thermo-rubber cushion between two metal plates
- Thermo-rubber cushion insert withstands maximum temperature of 130°C (zinc bracket 1000°C)

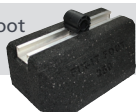
SPECIFICATIONS

Materials of construction	Zinc passivated steel with rubber cushion
Max. temp	1000°C
Max. Rec. distance per clip	1.2m

OTHER PROPERTIES

Thermal conductivity	K = 0.27 W/m°C
----------------------	----------------

Compatible with Fix-it Foot from Big Foot Systems

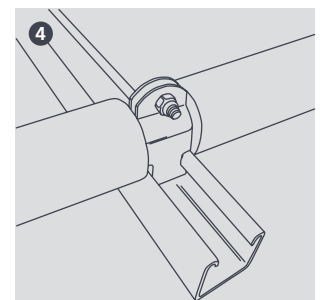
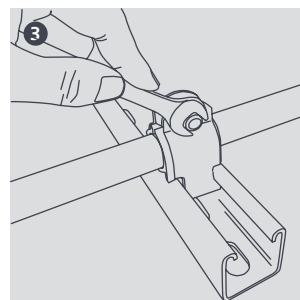
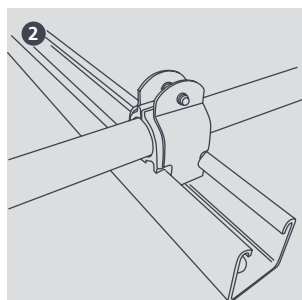
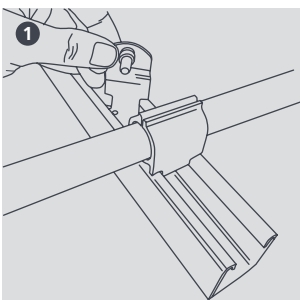


Aluminium Channel (3m lengths) available: Part No. B6023



SIZING OPTIONS

Size	Max. Unsupported Span (m)	Height Above Channel (mm)	Part No. (Plastic Bag)	Pack Qty (Plastic Bag)
1/4"	1.2m	32	B6268	10
3/8"	1.2m	35	B6274	10
1/2"	1.2m	38	B6267	10
5/8"	1.2m	41	B6276	10
3/4"	1.2m	44	B6273	10
7/8"	1.2m	47	B6277	10
1 1/8"	1.2m	54	B6264	10
1 3/8"	1.2m	60	B6265	10
1 5/8"	1.2m	76	B6266	10
2 1/8"	1.2m	92	B6269	5
2 5/8"	1.2m	98	B6270	5
3 1/8"	1.2m	117	B6271	5
3 5/8"	1.2m	130	B6272	5
4 1/8"	1.2m	143	B6275	5





PIPE SUPPORT



channel clip

Unique ratchet design ensures quick installation with good hold both vertically and horizontally.



Channel



Rod



Surface

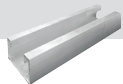
KEY FEATURES

- Easy installation into 40mm x 40mm and 40mm x 20mm channel
- Unique lockable ratchet design
- Fits metric and imperial pipe sizing
- Quick to fit over insulated pipes
- Safety lock ensure that the correct pressure is applied to hold both pipe and insulation

SPECIFICATIONS

Materials of construction	Nylon
Max. temp	+70°C
Max. Rec. distance per clip	1.2m

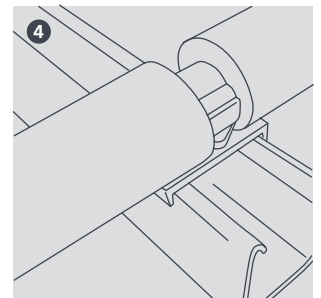
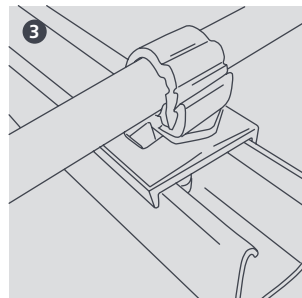
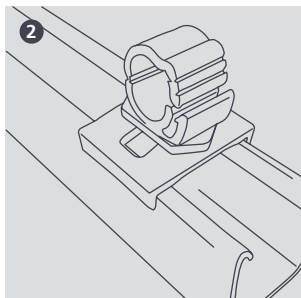
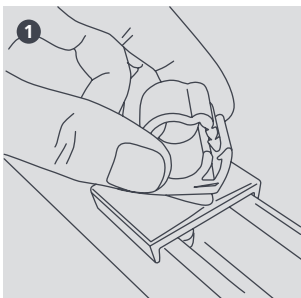
Aluminium Channel (3m lengths) available:
Part No. B6023



SIZING OPTIONS

Size	Lagging				Part No.	Pack Qty
	6mm	9mm	13mm	19mm		
6mm (1/4")					B6842	10
9mm (3/8")					B6844	10
13mm (1/2")					B6843	10
16mm (5/8")					B6845	10
19mm (3/4")	1/4"				B6846	10
22mm (7/8")	3/8"				B6847	10
25mm (1")	1/2"	1/4"			B6848	10
28mm (1 1/8")	5/8"	3/8"			B6849	10
32mm (1 1/4")	3/4" 7/8"	1/2" 5/8"	1/4"		B6850	10
35mm (1 3/8")		3/4"	3/8" 1/2"		B6851	10
38mm (1 1/2")	1 1/8"	7/8"	5/8"		B6852	10
41mm (1 5/8")	1 3/8"	1 1/8"	3/4" 7/8"	1/4" 3/8"	B6853	10
50mm (2")				1/2"	B6854	10
55mm (2 1/8")	1 5/8"	1 3/8" 1 5/8"	1 1/8" 1 3/8"	5/8" 3/4" 7/8"	B6855	10

Xtra For further details please refer to our website aspenpumps.com/xtra





PIPE SUPPORT



metal hanger

A rod clip ideal for supporting air conditioning line set pairs.



Channel



Rod



Surface

KEY FEATURES

- Fits on both M8 and M10 studding
- Zinc passivated to resist corrosion
- Rapid 2 pipe installation
- Ideal for when you need to meet fire regulations
- Avoids the need for cable trays

SPECIFICATIONS

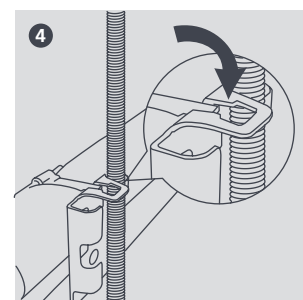
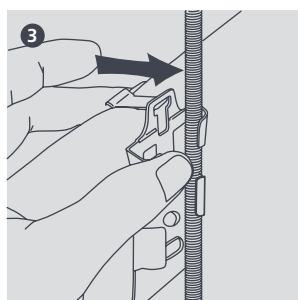
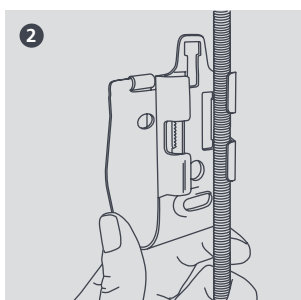
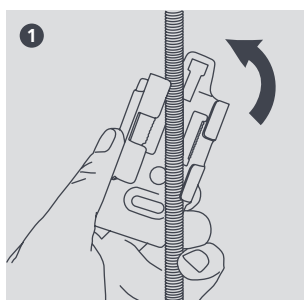
Materials of construction	Zinc passivated mild steel
Max. temp	1000°C
Max. Rec. distance per clip	1.2m

SIZING OPTIONS

Description	Liquid*	Gas*	Part No.	Pack Qty
2	3/8"	5/8"	B6492	10
3	1/2"	7/8"	B6493	10
4	5/8"	1 1/8"	B6494	10

* Approximate pipe sizes (allowing for insulation)

Xtra For further details please refer to our website aspenpumps.com/xtra





PIPE SUPPORT



pinch clip

New to the Aspen Xtra range, the Pinch Clip rod clip that is ideal for air conditioning line set pairs.



Channel



Rod



Surface

KEY FEATURES

- Pinch Clip locates quickly to M8 and M10 studding
- Robust metal construction
- Snap shut lid secures pipe set
- Quick and easy pipe installation
- Wide metal construction for greater pipe support
- Can also be used for surface mount
- Ideal for when you need to meet fire regulations

SPECIFICATIONS

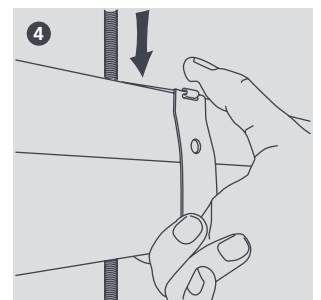
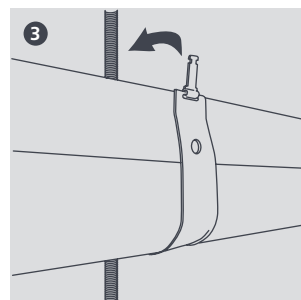
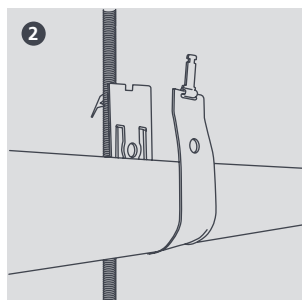
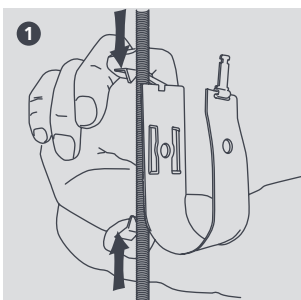
Materials of construction	Powder coated mild steel
Max. temp	1000°C
Max. Rec. distance per clip	1.2m

OPTIONS

Description	Liquid*	Gas*	Part No.	Pack Qty
2	1/2"	7/8"	B6561	10
3	5/8"	1 1/8"	B6562	10
4	3/4"	1 3/8"	B6563	10

* Approximate pipe sizes (allowing for insulation)

Xtra For further details please refer to our website aspenpumps.com/xtra





PIPE SUPPORT



3 pipe clip

Brand new uniquely designed 3 pipe clip, providing support for VRV/VRF systems pipework.



Channel



Rod



Surface

KEY FEATURES

- Available for a wide range of pipe group sizes
- Locates to M8 and M10 studding
- Wide metal arms for greater pipe support
- No need for cable tray
- Hinge security cover plate fastens with one screw
- Can also be used for surface mount pipe support

SPECIFICATIONS

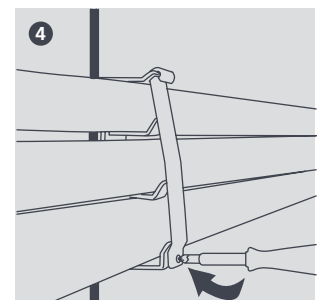
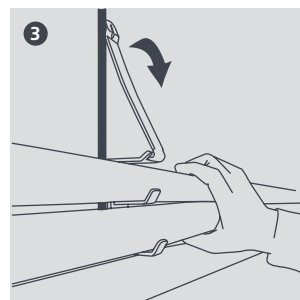
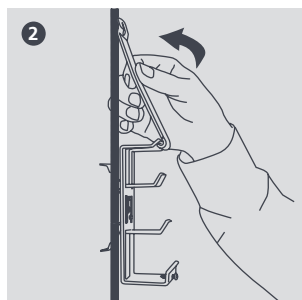
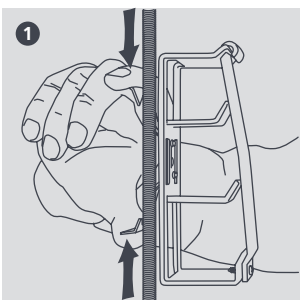
Materials of construction	Powder coated mild steel
Max. temp	1000°C
Max. Rec. distance per clip	1.2m

SIZING OPTIONS

Description	Pipe groups from	Pipe groups to	Part No.	Pack Qty
1	3/8" 5/8" 3/4"	1/2" 3/4" 1"	B6361	5
2	1/2" 1 1/8" 3/4"	5/8" 1" 1 1/8"	B6362	5
3	5/8" 1 1/8" 1 1/8"	3/4" 1 3/8" 1 1/8"	B6363	5
4	7/8" 1 3/8" 1 1/8"	3/4" 1 5/8" 1 3/8"	B6364	5

Approximate pipe sizes (allowing for 13mm insulation)

Xtra For further details please refer to our website aspenpumps.com/xtra





PIPE SUPPORT



stud clip

Unique ratchet design ensures quick installation and adjustment.



Channel



Rod



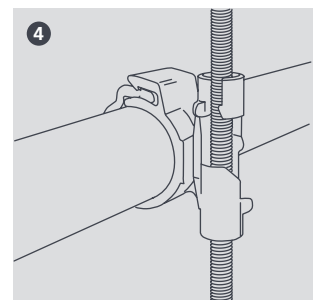
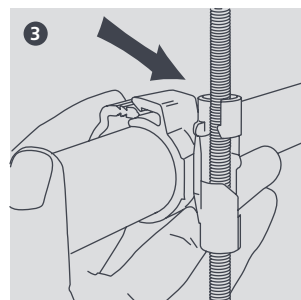
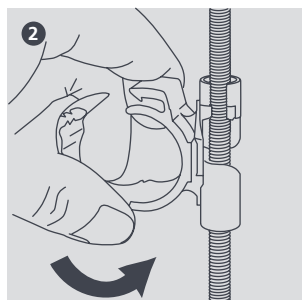
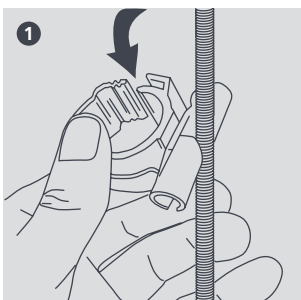
Surface

KEY FEATURES

- Available for M8 and M10 studding
- Fast fixing direct to studding
- Simple to install, adjust and relocate
- Fits metric and imperial pipe sizes

SPECIFICATIONS		SIZING OPTIONS				M8		M10	
Materials of construction	Nylon	Size	6mm	Lagging		Part No.	Pack Qty	Part No.	Pack Qty
Max. temp	70°C			9mm	13mm				
Max. Rec. distance per clip	1.2m				19mm				
		1/4"				B6800	10	B6814	10
		3/8"				B6802	10	B6816	10
		1/2"				B6801	10	B6815	10
		5/8"				B6803	10	B6817	10
		3/4"	1/4"			B6804	10	B6818	10
		7/8"	3/8"			B6805	10	B6819	10
		1"	1/2"	1/4"		B6806	10	B6820	10
		1 1/8"	5/8"	3/8"		B6807	10	B6821	10
		1 1/4"	3/4" 7/8"	1/2" 5/8"		B6808	10	B6822	10
		1 3/8"		3/4"	3/8" 1/2"	B6809	10	B6823	10
		1 1/2"	1 1/8"	7/8"	5/8"	B6810	10	B6824	10
		1 5/8"	1 3/8"	1 1/8"	3/4" 7/8"	B6811	10	B6825	10
		2"			1/2"	B6812	10	B6826	10
		2 1/8"	1 5/8"	1 3/8" 1 5/8"	1 1/8" 1 3/8"	B6813	10	B6827	10
				5/8" 3/4" 7/8"					

For further details please refer to our website aspenspumps.com/xtra





PIPE SUPPORT



stud clip m8 3 1/8" and 2 pipe



A new range of stud clips that are ideal for refrigeration and air conditioning systems.



Channel



Rod



Surface

KEY FEATURES (STUD CLIP M8 3 1/8")

- The Stud Clip M8 3 1/8" is ideal for refrigeration pipework with a versatile ratchet from 54mm to 80mm pipe sizes
- Fast fixing direct to studding
- Fits metric and imperial pipe sizes

KEY FEATURES (2 PIPE)

- Offers horizontal support for pipe sets on air conditioning systems
- Available for M8 and M10 studding
- Simple to install, adjust and relocate
- Secure extendable ratchet closure
- Clip encloses both line set and cables

SPECIFICATIONS

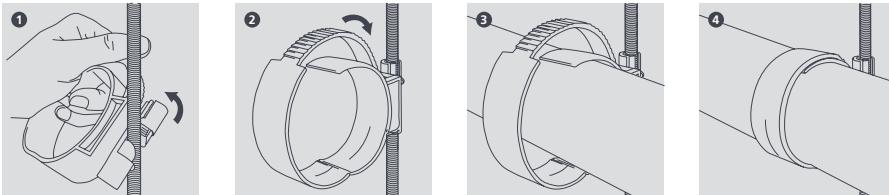
Materials of construction	Nylon
Max. temp	70°C
Max. Rec. distance per clip	1.2m

SIZING OPTIONS

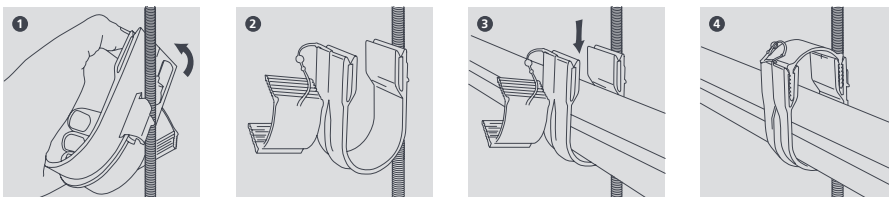
Size	Part No.	Pack Qty
Stud Clip 80mm (3 1/8")	B7200	5
M8 2 pipe 1/2" - 7/8" to 5/8" - 1 1/8"	B7205	5
M10 2 pipe 1/2" - 7/8" to 5/8" - 1 1/8"	B7210	5

Approximate pipe sizes (allowing for 13mm insulation)

STUD CLIP M8 3 1/8" INSTALL



STUD CLIP M8/M10 2 PIPE INSTALL



Xtra For further details please refer to our website aspenspumps.com/xtra



PIPE SUPPORT



plastic hanger

This dual stud size clamping system will fit securely to both M8 and M10 studding.



Channel



Rod



Surface

KEY FEATURES

- Easy installation
- Fits on both M8 and M10 studding
- Avoids the need for cable tray
- Adjustable clipping mechanism

SPECIFICATIONS

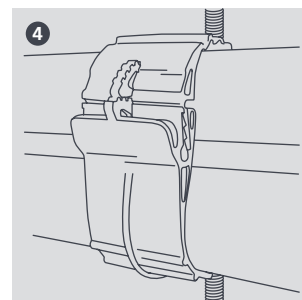
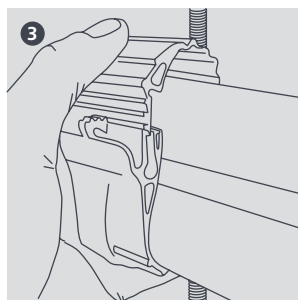
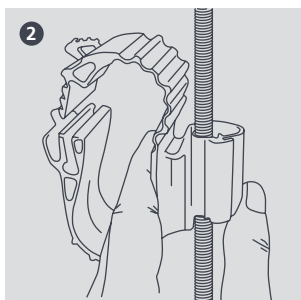
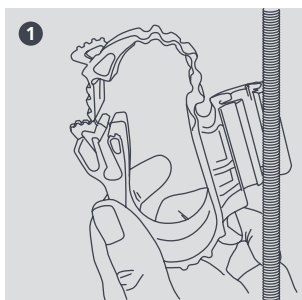
Materials of construction	Nylon
Max. temp	70°C
Max. Rec. distance per clip	1.2m

SIZING OPTIONS

Description	Liquid*	Gas*	Rod Fitting Size	Part No.	Pack Qty
P2	3/8"	5/8"	8-10mm drop	B6543	5
P3	1/2"	7/8"	8-10mm drop	B6544	5
P4	5/8"	1 1/8"	8-10mm drop	B6545	5
P2	3/8"	5/8"	6-8mm drop	B6715	5
P3	1/2"	7/8"	6-8mm drop	B6716	5
P4	5/8"	1 1/8"	6-8mm drop	B6717	5

* Approximate pipe sizes (allowing for insulation)

Xtra For further details please refer to our website aspenpumps.com/xtra





PIPE SUPPORT



barb clips

Ideal for horizontal support on refrigeration installations.



Channel



Rod



Surface

KEY FEATURES

- Fast fixing directly into a 10mm hole without the need for screws or plugs
- Unique lockable ratchet design
- Fits metric and imperial pipe

SPECIFICATIONS

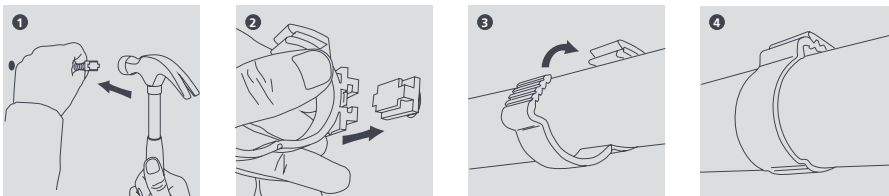
Materials of construction	Nylon
Max. temp	70°C
Max. Rec. distance per clip	1.2m

SIZING OPTIONS

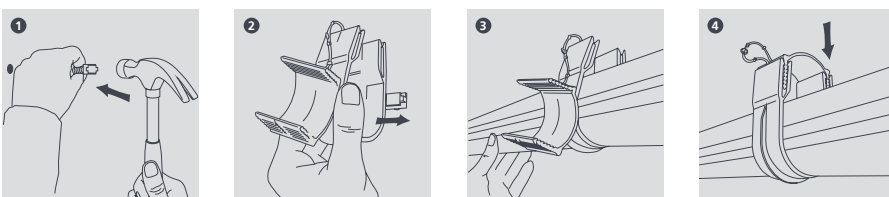
Size	Part No.	Pack Qty
22mm (7/8")	B7006	10
28mm (1 1/8")	B7008	10
32mm (1 1/4")	B7009	10
35mm (1 3/8")	B7010	10
2 pipe (1/2" - 7/8" to 5/8" - 1 1/8")	B7300	5

Approximate pipe sizes (allowing for 13mm insulation)

BARB CLIP 1 PIPE INSTALL



BARB CLIP 2 PIPE INSTALL



Xtra For further details please refer to our website aspenspumps.com/xtra



PIPE SUPPORT



nail clip

Using unique features, this horizontal support clip is ideal for single pipework installations.



Channel



Rod



Surface

KEY FEATURES

- Ideal for refrigeration installations
- Fast fixing direct to any surface
- Unique lockable ratchet design
- Use a nail gun for rapid install
- Ideal for both single and multiple runs
- Fits metric and imperial pipe sizing

SPECIFICATIONS

Materials of construction	Nylon
Max. temp	70°C
Max. Rec. distance per clip	1.2m

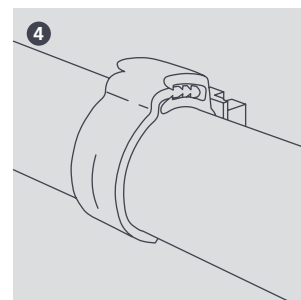
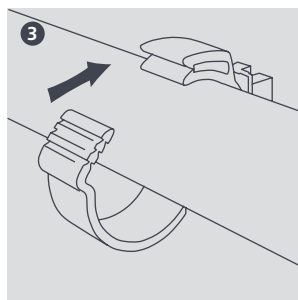
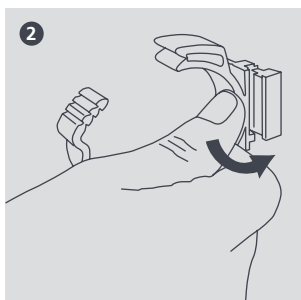
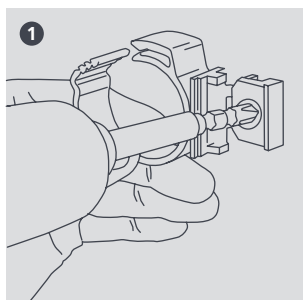
SIZING OPTIONS

Size	Part No.	Pack Qty
25mm (1")	B7107	10
35mm (1 3/8")	B7110	10
38mm (1 1/2")	B7111	10
41mm (1 5/8")	B7112	10

For the complete list of sizes available visit aspenpumps.com/xtra

Approximate pipe sizes (allowing for 13mm insulation)

Xtra For further details please refer to our website aspenpumps.com/xtra





PIPE SUPPORT



grip lock

Best selling versatile clip mounts to any surface. Ideal for air conditioning line sets.



Channel



Rod



Surface

KEY FEATURES

- Fits directly to a wall or solid ceiling
- Hinged for rapid pipe installation
- Space for electrical cables and condensate hose
- Zinc and colour passivated to resist corrosion
- Wide metal components for good pipe support

SPECIFICATIONS

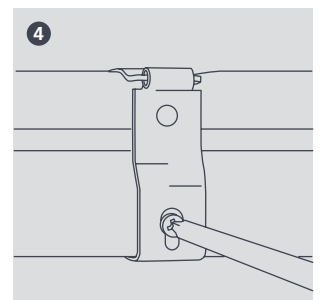
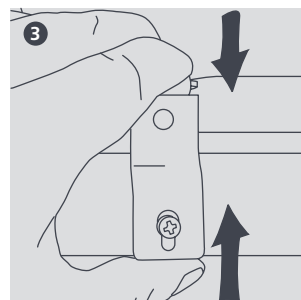
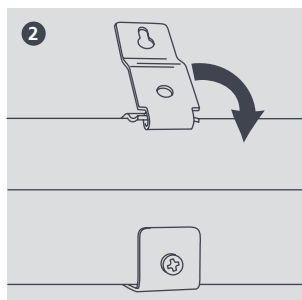
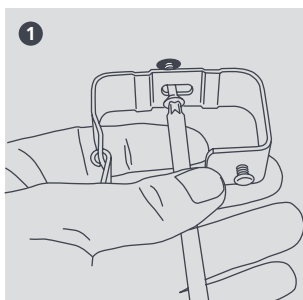
Materials of construction	Zinc passivated mild steel
Max. Rec. distance per clip	1.2m
Max. temp	1000°C

SIZING OPTIONS

Description	Liquid*	Gas*	Width (mm)	Height (mm)	Part No.	Pack Qty
Size 1	1/4"	1/2"	54	30	B6186	10
Size 2	3/8"	5/8"	60	32	B6187	10
Size 3	1/2"	7/8"	67	37	B6188	10
Size 4	5/8"	1 1/8"	80	46	B6189	10

* Approximate pipe sizes (allowing for 13mm insulation)

Xtra For further details please refer to our website aspenspumps.com/xtra



PIPE SUPPORT



pipe tie

Easy to fix and great for multiple pipework routes.



Channel



Rod



Surface

KEY FEATURES

- Quick fixing, lightweight and reusable
- Perfect for multiple pipework routes
- Wide tie width to protect pipe insulation
- Withstands maximum temperature of 70°C
- Available in 4 lengths
- Choice of white or black

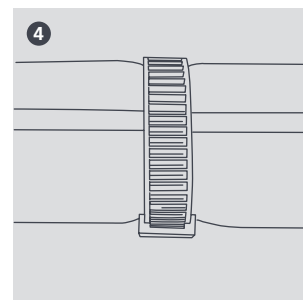
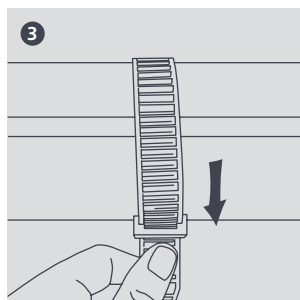
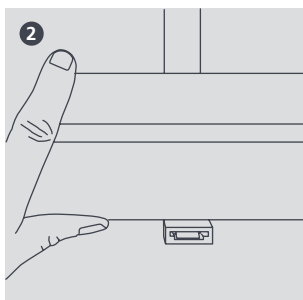
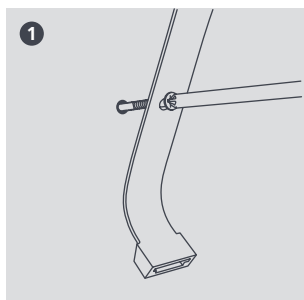
SPECIFICATIONS

Materials of construction	LDPE
Max. Rec. distance per clip	1.2m
Max temp.	70°C

OPTIONS

Description	Dimensions	Part No.	Pack Qty
T250 White	250 x 20mm	B6411	10
T250 Black	250 x 20mm	B6551	10
T300 White	300 x 20mm	B6412	10
T300 Black	300 x 20mm	B6552	10
T350 White	350 x 20mm	B6413	10
T350 Black	350 x 20mm	B6553	10
T400 White	400 x 20mm	B6414	10
T400 Black	400 x 20mm	B6554	10

Xtra For further details please refer to our website aspenpumps.com/xtra



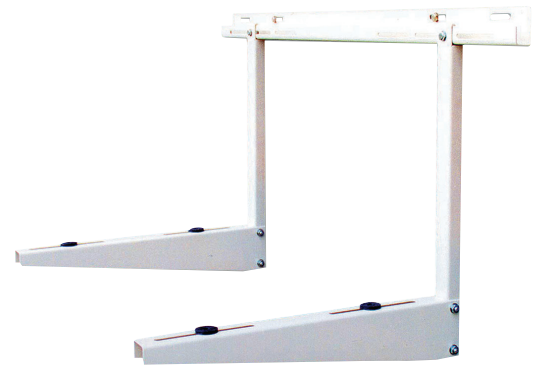


BRACKETS



condensing unit bracket

Self-adjusting brackets designed for quick install and easy levelling on uneven wall surfaces.



Type 2 Condensing Unit Bracket

KEY FEATURES

- A professional appearance and highly economic solution for installations
- Type 1 brackets give the choice of 3 positions enabling installation of equipment in difficult areas
- Sturdy and secure brackets offer horizontal flexibility. Boxed complete with all fixings
- Conforms with ISO 09227 Corrosion test pass

SPECIFICATIONS

Materials of construction

Zinc passivated steel with powder coated (ivory)



Type 1 Condensing Unit Bracket

SIZING OPTIONS

Description	Max. Load	Height (mm)	Width (mm)	Depth (mm)	Part No.
Type 1	60kg	450	-	450	B6141
Type 1	90kg	500	-	500	B6142
Type 1	140kg	550	-	550	B6140
Type 1	250kg	680	-	680	B6584
Type 2	60kg	430	720	370	B6144
Type 2	90kg	530	900	470	B6145
Type 2	140kg	580	1100	450	B6143

For further details please refer to our website aspenspumps.com/xtra

A D V E R T I S E M E N T

Visit the Aspen website for all the latest *Xtra* product news...

aspenspumps.com/xtra





BRACKETS

EN

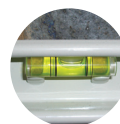
quick fit bracket

KEY FEATURES

- Equipped with levelling system
- 3 sizes available: Type 2 60kg, 90kg or 140kg maximum load
- Anti-vibration feet with 2 adjustable rubber levelling stops
- Patented level to adjust the wall bar
- All necessary fixings supplied, designed for easy installation
- Insulating washer and wall fixing kit supplied
- 2 high resistant joint screws M6 x 70 8.8



Equipped with Level to adjust wall bar (patented)



non-metal bracket

KEY FEATURES

- Rust free – ideal where there is salty sea air
- 2 sizes available: Type 1 80kg, Type 2 80kg maximum load
- Adjustable with 3 fixing points
- Fixing kit supplied
- Fast, easy 'snap on' leg assembly



Crossbar on Type 2 only



galvanised arm

KEY FEATURES

- Industrial 41mm x 41mm channel
- Base of 130mm x 45mm
- 14mm diameter holes at 100mm centres
- 450 and 600mm lengths available



SPECIFICATIONS	
Quick Fit Bracket Materials of construction	Galvanised mild steel, powder coated (ivory)
Non-metal Bracket Materials of construction	Bracket: fibre reinforced nylon Crossbar: glass reinforced polyester
Galvanised Arm Materials of construction	Mild steel hot dipped galvanised

SIZE OPTIONS					
Description	Max. Load	Height (mm)	Width (mm)	Depth (mm)	Part No.
Quick Fit Type 2	60kg	375	800	420	B6861
Quick Fit Type 2	90kg	375	800	465	B6862
Quick Fit Type 2	140kg	375	800	550	B6863
Non Metal Bracket Type 1	80kg	410	-	460	B6760
Non Metal Bracket Type 2	80kg	410	790	460	B6761
Galvanised Arm 450	239kg*	132	-	450	B6859
Galvanised Arm 600	183kg**	132	-	600	B6860

* Point load 119kg
** Point load 92kg



BRACKETS



drip tray

Condensing Unit metal and plastic drip trays fit all Xtra brackets.



KEY FEATURES

- Both available in two sizes
- Flat packed with all required fixings
- The metal drip tray is supplied with a 15mm Tank Connector

CONDENSING UNIT SPECIFICATIONS

Materials of construction	Galvanised mild steel, powder coated (ivory)
---------------------------	--

CONDENSING UNIT SIZING OPTIONS

Description	Height (mm)	Width (mm)	Depth (mm)	Part No.
Small	50	800	400	B6147
Large	50	1100	400	B6146

PLASTIC DRIP TRAY SPECIFICATIONS

Materials of construction	Rigid UV stabilised plastic
---------------------------	-----------------------------

PLASTIC DRIP TRAY SIZING OPTIONS

Description	Height (mm)	Width (mm)	Depth (mm)	Part No.
Type 1	30	790	420	B6591
Type 2	30	940	420	B6592

Xtra For further details please refer to our website aspenspumps.com/xtra

A D V E R T I S E M E N T

Xtra Pipe Connector for Condenser Drain Pan 21.5mm OD / 19mm ID



Part No. B6400
(Bag of 1)



GUARDS



condensing unit guard



Easy to install durable powder coated aluminium framework and steel panels.

KEY FEATURES

- A range of 3 sizes
- Panels are removable to allow maintenance of the unit
- Adjustable feet to allow services at ground level
- Bottom panels and drip tray available for guard fixed at high level on wall
- Back panel available for free standing units
- Screws included

SPECIFICATIONS

Materials of construction

Zinc passivated steel with powder coating (ivory)



Have you considered your unit mounting options...
Big Foot Systems

'Fix-it Foot', available in various sizes up to 1m.



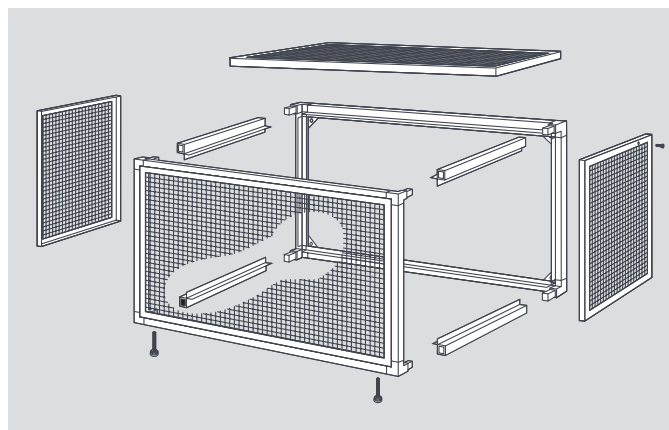
SIZING OPTIONS

Size	Weight	Ext. Height (mm)	Ext. Width (mm)	Ext. Depth (mm)	Int. Height (mm)	Int. Width (mm)	Int. Depth (mm)	Part No.
Small	19kg	700	1000	450	600	900	350	B6192
Medium	28.5kg	1100	1100	600	1000	1000	500	B6191
Large	34kg	1400	1100	600	1300	1000	500	B6190

Individual panel part numbers:

Small front/back: Part No. B6404, Small top/bottom: Part No. B6406, Small sides: Part No. B6405
Medium front/back: Part No. B6401, Medium top/bottom: Part No. B6402, Medium sides: Part No. B6402
Large front/back: Part No. B6398, Large top/bottom: Part No. B6402, Large sides: Part No. B6399

For further details please refer to our website aspenspumps.com/xtra

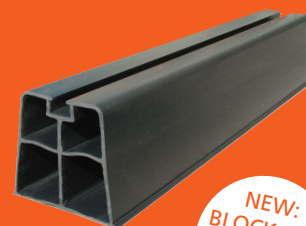


A D V E R T I S E M E N T

Condensing Unit Blocks

450mm and 1000mm length, inc. fixings

SB450: Pt. B6658 (Box of 12)
SB1000: Pt. B6659 (Box of 2)



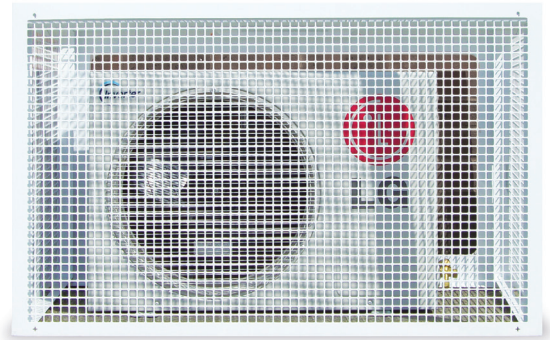
NEW:
BLOCK END CAPS
Pt. B9381



GUARDS



rapid fit guard



Rapid Fit Guards deter vandalism and prevent damage to valuable equipment whilst still quick to install.

KEY FEATURES

- Simple and easy to install tab and slot design allows panels to connect
- Panels are removable to allow maintenance of the unit
- Includes 3 x tamper resistant screws
- Adjustable feet to allow services at ground level
- Bottom panels and drip trays available for guard fixed at high level on wall

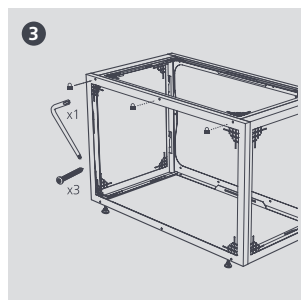
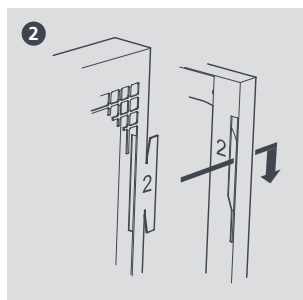
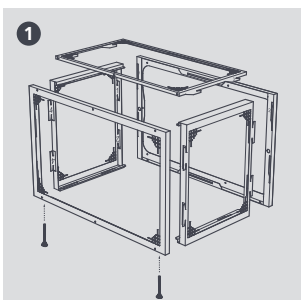
SPECIFICATIONS	
Materials of construction	Zinc passivated steel with powder coating (ivory)

Have you considered your unit mounting options...
Big Foot Systems
 'Fix-it Foot', available in various sizes up to 1m.

SIZING OPTIONS								
Size	Weight	Ext. Height (mm)	Ext. Width (mm)	Ext. Depth (mm)	Int. Height (mm)	Int. Width (mm)	Int. Depth (mm)	Part No.
Small	21kg	660	1052	572	600	900	500	B9163
Medium	29kg	1060	1152	572	1000	1000	500	B9164
Large	39kg	1360	1152	572	1300	1000	500	B9165

Bottom Panel – Small Guard: B9252
 Bottom Panel – Medium/Large Guard: B9255

Xtra For further details please refer to our website aspenpumps.com/xtra



ADVERTISEMENT

Condensing Unit Blocks

450mm and 1000mm length, inc. fixings

SB450: Pt. B6658 (Box of 12)
 SB1000: Pt. B6659 (Box of 2)

NEW: BLOCK END CAPS
 Pt. B9381