

# AC axial fan

S series



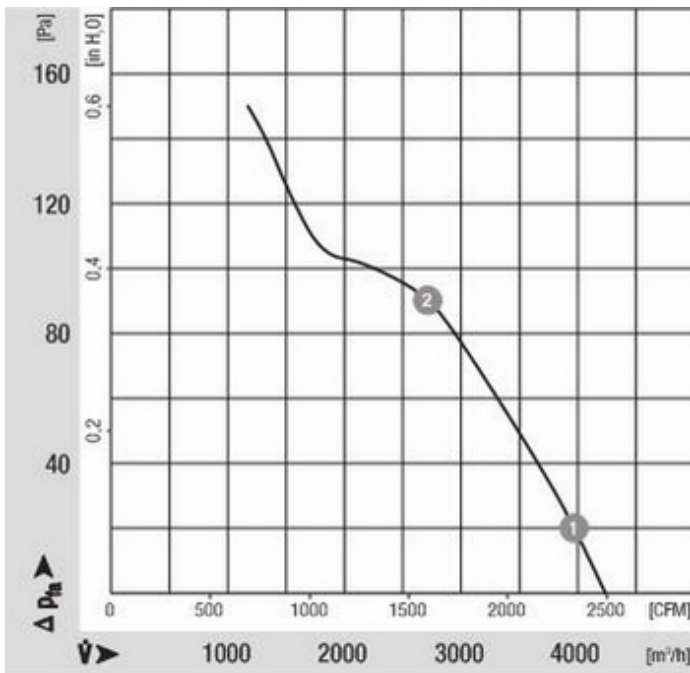
- **Design:** Without guard grille and wall ring
- **Impeller material:** Sheet steel, coated in black
- **Motor material:** Rotor: Coated in black

Nominal data		Voltage	Frequency	Air flow	Speed	Power consumption	Current draw	Capacitor capacity	Sound pressure level	Operative range 50Hz	Ambient temperature 50Hz	Weight
Type	Motor	1 - VAC	Hz	m <sup>3</sup> /h	1/min	W	A	uF/V	dB(A)	Pa	°C	kg
S4E400AP0203	M4E074EI	230	50	4235	1430	160	0.73	6.0 / 400	69	0 .. 150	-25 .. 40	4.2

Subject to modification

Characteristic: Pressure over air flow at 50Hz

n	P <sub>1</sub>	I	LpA	ntL
[1/min]	[W]	[A]	[dBA]	[%]

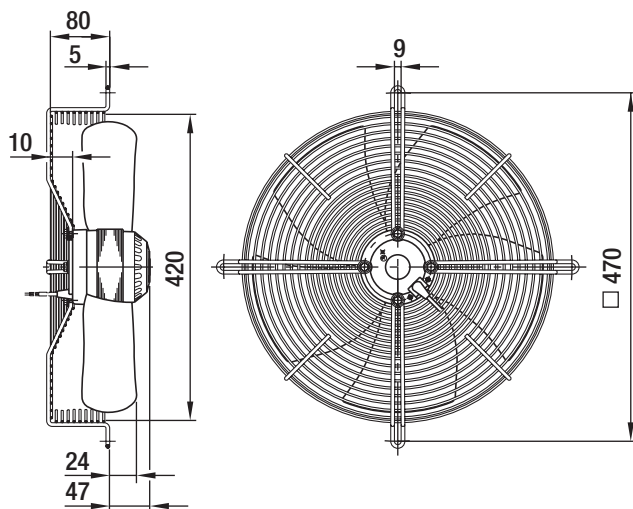


1	1430	172	0,78	--	--
2	1395	210	0,93	--	--

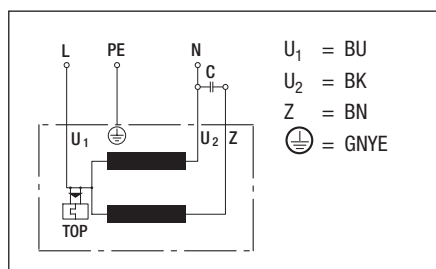
# AC axial fan

S series

## Specific drawing



## Connection illustration



## Technical description

- **Design:** Without guard grille and wall ring
- **Motor material:** Rotor: Coated in black
- **Direction of rotation:** Counter-clockwise, seen on rotor
- **Number of impeller blades:** 5
- **Cable layout:** Variable
- **Guideline:** EN 60335-1, CE
- **Insulation class:** "B"
- **System of protection:** IP 44
- **Approvals:** CCC
- **Impeller material:** Sheet steel, coated in black
- **Bearings:** Maintenance-free ball bearings
- **Direction of flow:** "V"
- **Electrical connection:** Brass lead tips
- **Screw depth:** Max. 10 mm
- **Operating mode:** Continuous operation (S1)
- **Protection class:** I
- **Motor protection:** TOP wired internally
- **Option:** With terminal box

## Contact

ebm-papst Mulfingen GmbH & Co. KG

Bachmühle 2

D-74673 Mulfingen

Phone +49 (0) 79 38 / 81-0

Fax +49 (0) 79 38 / 81-110

info1@de.ebmpapst.com

www.ebmpapst.com