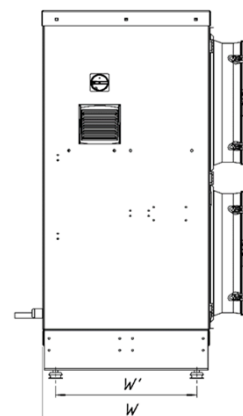
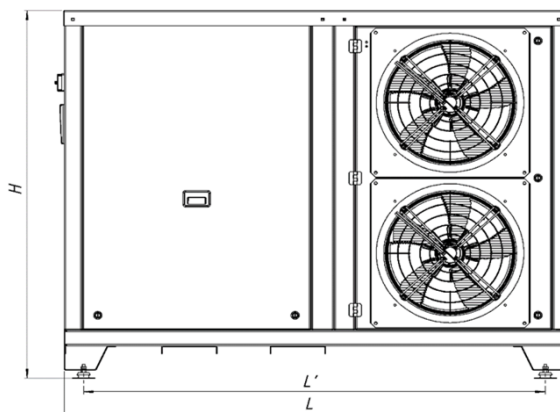




Data sheet

MM2-BK-B49YH

Operating Conditions					
Refrigerant	R134a				
Ambient Temperature	32				°C
Evaporation Temperature	-10				°C
Subcooling	3				K
Technical Data					
Cooling Capacity	7,01 - 30Hz	11,78 - 50Hz	16,02 - 70Hz	17,9 - 80Hz	kW
Voltage	400/3/50				V/faz/Hz
Nominal power input	2,87 - 30Hz	4,59 - 50Hz	6,12 - 70Hz	6,8 - 80Hz	kW
Max. power input*	12,64				kW
Max. current**	21,4				A
Sound power level	72,98				dB(A) (+/-2dBA)
Sound pressure level	44,98				dB(A), 10m (+/-2dBA)
Compressor Data					
Type	Semi-hermetic Reciprocating				
Number	1				szt.
Nominal power input	2,53 - 30Hz	4,25 - 50Hz	5,78 - 70Hz	6,46 - 80Hz	kW
Max. power input	12,3				kW
Max. current	18,0				A
Starting current	82,4				A
Condenser Data					
Type	Air cooled				
Number of fans	2				szt.
Type of fans	Axial				
Diameter of fans	450				mm
Max. power input***	0,17				kW
Max. current***	1,70				A
Refrigerant receiver					
Type	Vertical				
Volume	14,5				dm ³
Approximate dimensions and weight					
Lenght x Width x Height	1800 x 750 x 1410 (L x W x H)				mm
Mounting holes spacing	1660 x 510 (L' x W')				mm
Weight	331				kg
Suction / Liquid line connection	28 / 22				



Comments

*Maximum power value is given for compressors and fans.

**Maximum current value is given for compressors and fans.

***Value given for one fan

