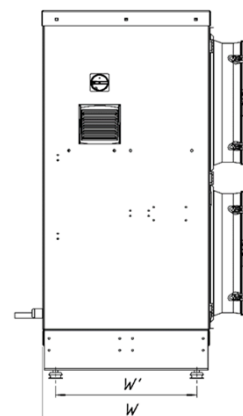
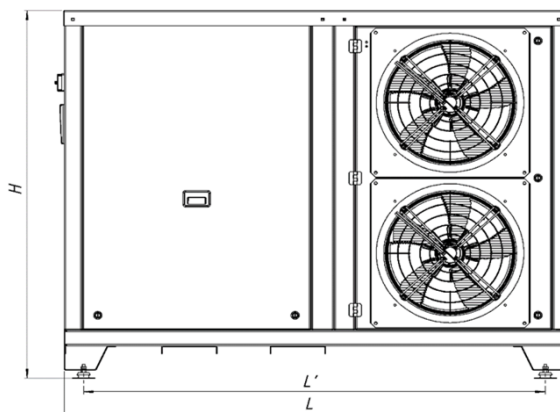




Data sheet

MM2-BK-D47YH

Operating Conditions					
Refrigerant	R449A/R448A				
Ambient Temperature	32				°C
Evaporation Temperature	-30				°C
Subcooling	3				K
Technical Data					
Cooling Capacity	3,11 - 30Hz	5,2 - 50Hz	6,97 - 70Hz	7,7 - 80Hz	kW
Voltage	400/3/50				V/faz/Hz
Nominal power input	2,13 - 30Hz	3,32 - 50Hz	4,34 - 70Hz	4,76 - 80Hz	kW
Max. power input*	9,24				kW
Max. current**	19,9				A
Sound power level	71,46				dB(A) (+/-2dBA)
Sound pressure level	43,46				dB(A), 10m (+/-2dBA)
Compressor Data					
Type	Semi-hermetic Reciprocating				
Number	1				szt.
Nominal power input	1,79 - 30Hz	2,98 - 50Hz	4 - 70Hz	4,42 - 80Hz	kW
Max. power input	8,9				kW
Max. current	16,5				A
Starting current	82,4				A
Condenser Data					
Type	Air cooled				
Number of fans	2				szt.
Type of fans	Axial				
Diameter of fans	450				mm
Max. power input***	0,17				kW
Max. current***	1,70				A
Refrigerant receiver					
Type	Vertical				
Volume	14,5				dm ³
Aproximate dimenissions and weight					
Lenght x Width x Height	1800 x 750 x 1410 (L x W x H)				mm
Mounting holes spacing	1660 x 510 (L' x W')				mm
Weight	332				kg
Suction / Liquid line connection	28 / 22				



Comments

*Maximum power value is given for compressors and fans.

**Maximum current value is given for compressors and fans.

***Value given for one fan

