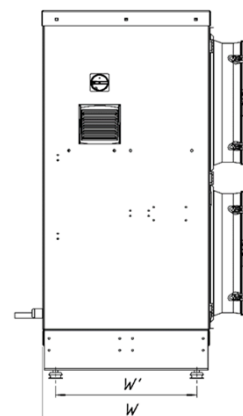
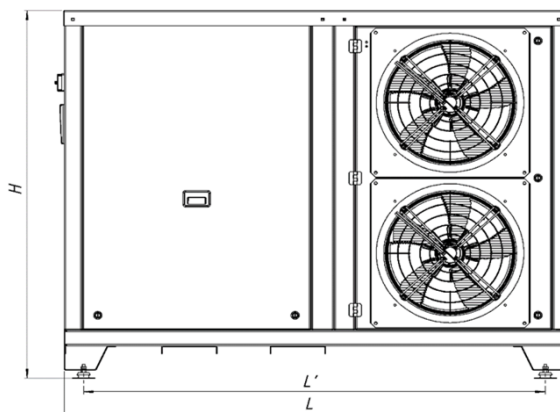




## Data sheet

### MM2-BK-D47YH

Operating Conditions					
Refrigerant	R449A/R448A				
Ambient Temperature	32				°C
Evaporation Temperature	-10				°C
Subcooling	3				K
Technical Data					
Cooling Capacity	8,21 - 30Hz	13,72 - 50Hz	18,38 - 70Hz	20,3 - 80Hz	kW
Voltage	400/3/50				V/faz/Hz
Nominal power input	3,4 - 30Hz	5,44 - 50Hz	7,18 - 70Hz	7,89 - 80Hz	kW
Max. power input*	9,24				kW
Max. current**	19,9				A
Sound power level	71,46				dB(A) (+/-2dBA)
Sound pressure level	43,46				dB(A), 10m (+/-2dBA)
Compressor Data					
Type	Semi-hermetic Reciprocating				
Number	1				szt.
Nominal power input	3,06 - 30Hz	5,1 - 50Hz	6,84 - 70Hz	7,55 - 80Hz	kW
Max. power input	8,9				kW
Max. current	16,5				A
Starting current	82,4				A
Condenser Data					
Type	Air cooled				
Number of fans	2				szt.
Type of fans	Axial				
Diameter of fans	450				mm
Max. power input***	0,17				kW
Max. current***	1,70				A
Refrigerant receiver					
Type	Vertical				
Volume	14,5				dm <sup>3</sup>
Approximate dimensions and weight					
Lenght x Width x Height	1800 x 750 x 1410 (L x W x H)				mm
Mounting holes spacing	1660 x 510 (L' x W')				mm
Weight	332				kg
Suction / Liquid line connection	28 / 22				



Comments
*Maximum power value is given for compressors and fans.
**Maximum current value is given for compressors and fans.

\*\*\*Value given for one fan

